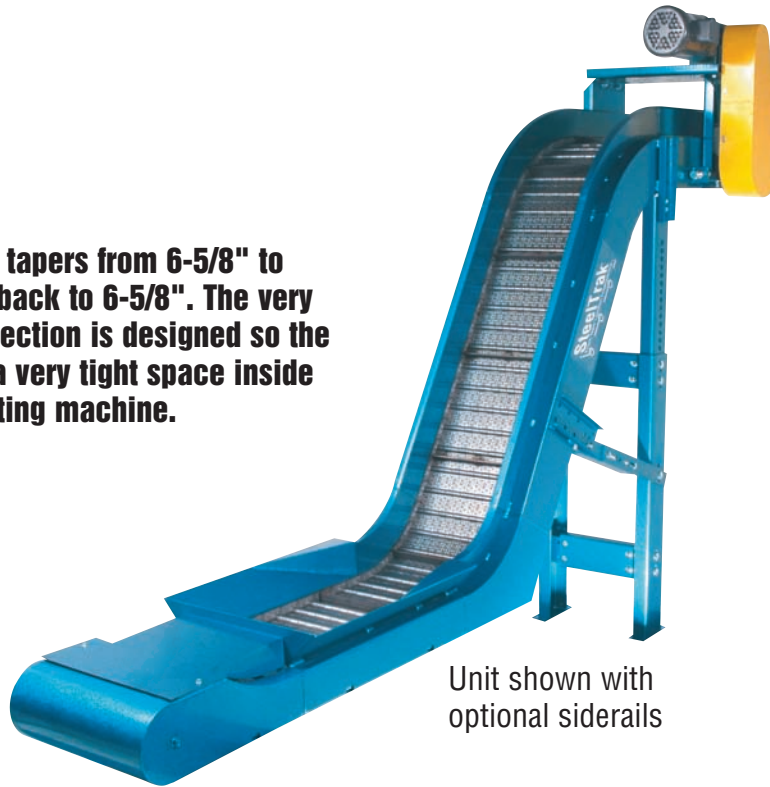


# MODEL 727 Tapered Infeed – Cold Header Conveyor

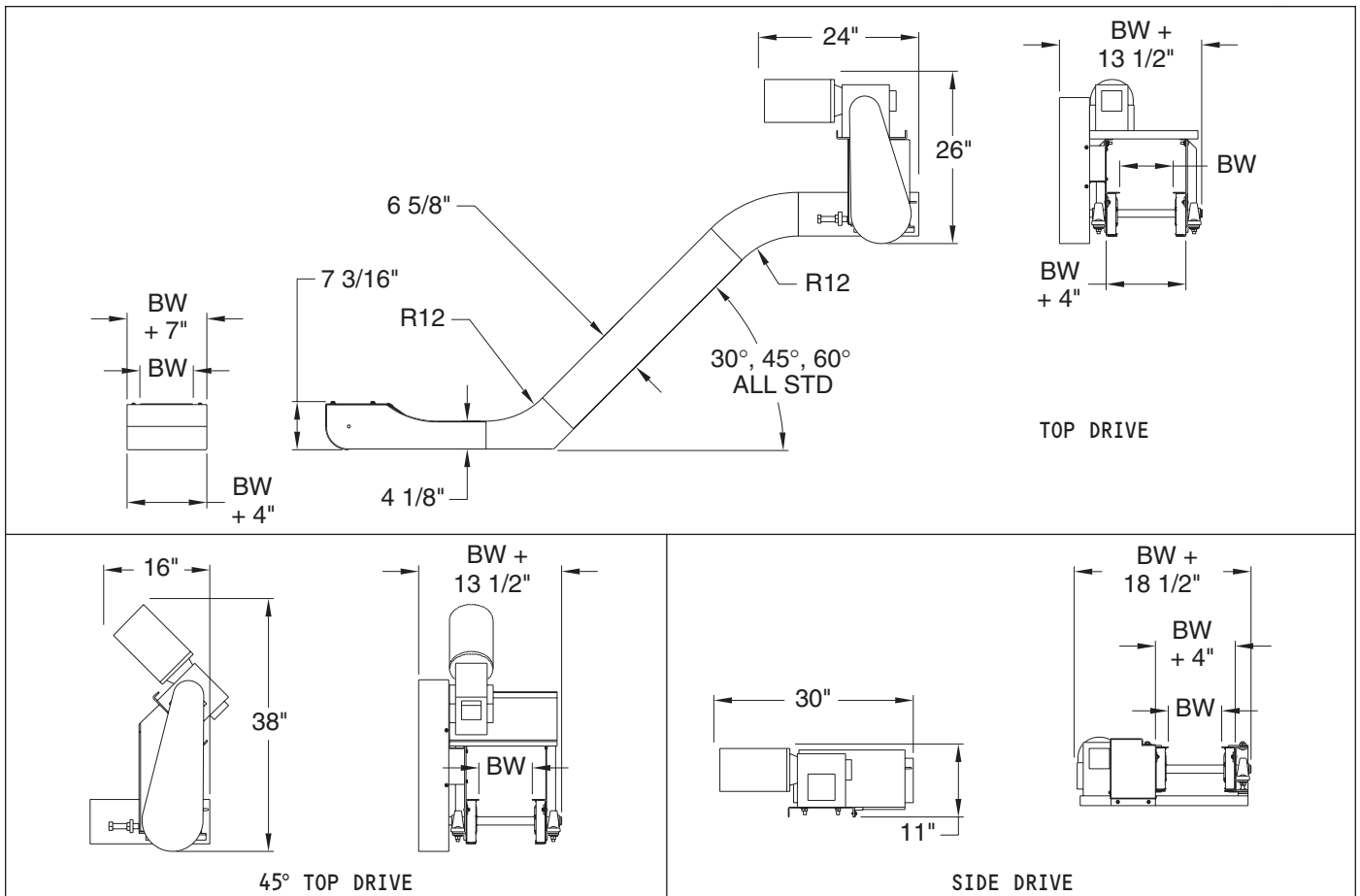
This units infeed tapers from 6-5/8" to 4-1/8" and then back to 6-5/8". The very shallow 4-1/8" section is designed so the unit can fit into a very tight space inside or under an existing machine.



Unit is shown with a special "fully" rounded infeed.

Unit shown with optional siderails

<b>Belt Width:</b>	6"	8"	12"	18"	24"	30"	36"
<b>Frame Width:</b>	10"	12"	16"	22"	28"	34"	40"



# MODEL 727 Tapered Infeed – Cold Header Conveyor

## Standard Specifications

**Widths:** 6", 8", 12", 18", 24", 30" and 36"  
(Custom Widths Available)

**Lengths:** Per Application

**Standard Speed:** 30 FPM

**Standard Motor:** 1/2 HP 230/460/3/60 TEFC

**Standard Drive:** Top Mount, Right Side

**Frame:** 6-5/8" Deep x Formed 12 Gauge

**Infeed:** Semi-Rounded

**Drive Shaft:** 1-3/16" diameter

**Bearings:** Grease Sealed, Marine @ Infeed

**Sprockets:** 5 Tooth x 4.25" Pitch Diameter

**Belt:** 2-1/2" Pitch Hinged Steel Belt, One Piece Apron, with 5/8" high cleats on 12-1/2" Centers, 1" high side wings, 1.5" Diameter rollers (Flanged Rollers are available), Outside Sidebars are required on belts greater than 18", but also optional for smaller widths.

## Hinged Steel Belt Comparison Chart

**Hinged Steel Belt Conveyors – Chip and Scrap Hinged Steel Belt Conveyors** — Hinged Steel Belts are designed to carry hot & oily metal parts or scrap. When determining which hinged steel belt model fits your application, pay special attention to the unit's **frame depth and cleat height**. A deeper frame adds the strength needed for longer runs and heavier loads. Deeper frames also provide the room for taller cleats. A taller cleat will move more product than a shorter one. A taller cleat may also be required for steeper inclines (For example, a 1-1/2" high cleat will carry more load up a 60 degree incline than a 5/8" high cleat.) Other unit's lower profile frames are designed to fit into tight spaces.

MODEL	DESCRIPTION	FRAME GAUGE	FRAME DEPTH	DRIVER SIZE	DRIVER TYPE	DRIVE SHAFT DIA.	IDLER SIZE	IDLER TYPE	IDLER SHAFT DIA.	STANDARD CARRIER	STD. DRIVE	OTHER
715	Light duty – 1-1/2" pitch chip conveyor	14	4.125"	10 tooth	4.854 pd	1.1875"	1.375" OD	Hub	.75"	12ga aprons, 5/8" cleats on 12" centers	Top	Frame tapers from 4.125" @ infeed to 6-5/8" @ discharge
720	Medium duty chip conveyor	12	8.5"	6 tooth	5" pd	1.6875"	6 tooth	5" pd	1.1875"	12ga aprons, 1-3/8" cleats on 12-1/2" centers	Top	720 – Heavy shaft
723	Liquid tight M720											723 – Heavy shaft, liquid tight M721
721	Standard duty scrap conveyor	12	8.5"	6 tooth	5" pd	1.4375"	6 tooth	5" pd	1.1875"	12ga aprons, 1-3/8" cleats on 12-1/2" centers	Top	Entire frame is 8-1/2" deep – Flat top cleats are 1-1/8" high
724	Liquid tight M721											
722	Light duty chip conveyor	12	6.625"	5 tooth	4.25" pd	1.1875"	5 tooth	4.25"	1.1875"	12ga aprons, 7/8" cleats on 12-1/2" centers	Top	Entire frame is 6-5/8" deep – Flat top cleats are 5/8" high
726	Liquid tight M722											
725	Low profile infeed chip conveyor	12	5.375"	5 tooth	4.25 pd	1.1875"	1.75" OD	Hub	.75"	12ga aprons, 7/8" cleats on 12-1/2" centers	Top	Frame tapers from 5-3/8" to 6-5/8" – Flat top cleats are 5/8" high
727	Tapered infeed cold header conveyor	12	6.625"	5 tooth	4.25 pd	1.1875"	5 tooth	4.25"	1.1875"	12ga aprons, 5/8" cleats on 12-1/2" centers	Top	Frame tapers from 6-5/8" to 4-1/8" back to 6-5/8"

## Unit Weights (Shipping Weights – lbs.)

BELT WIDTHS	4"	6"	8"	12"	18"	24"
<b>LENGTHS</b>						
4'	328	355	380	433	514	585
8'	501	553	602	702	853	975
12'	710	788	862	1010	1232	1406
16'	883	986	1084	1279	1571	1796
20'	1056	1184	1306	1548	1910	2186
24'	1265	1419	1566	1856	2289	2617
28'	1438	1617	1788	2125	2628	3007
ADD FOR EACH CURVE	44	51	59	69	83	97

Conveyor weights include standard drive and supports. Other options, crating etc. are not included.

## Skid Dimensions

**Model 727** — Note: these are general guidelines for freight rate estimates only. Final dimensions may vary.

BELT WIDTHS	4"	6"	8"	12"	18"	24"	30"	36"
Top Mount <b>Skid Width</b>	16"	18"	20"	24"	30"	36"	42"	48"
Side Mount <b>Skid Width</b>	28"	30"	32"	36"	42"	48"	54"	60"

**Skid Length** – These units are typically shipped assembled. The skid length is the overall length + 5". Maximum skid length is 27'.