

# 190-E24EZC

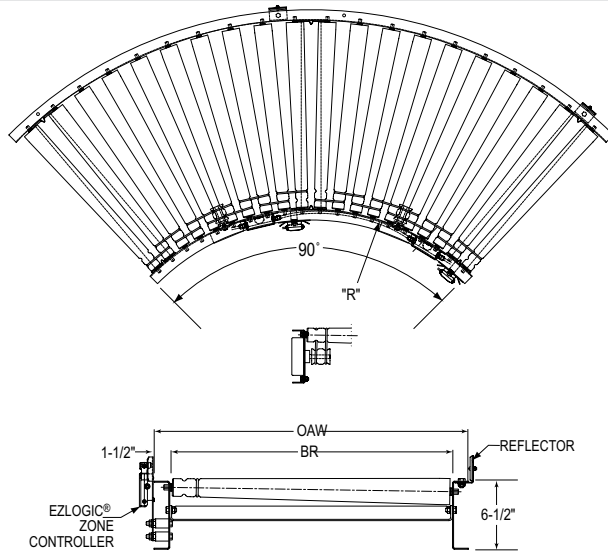
- EZLogic® Accumulation System
- All-Electric Operation
- Adjustable MS-Type Floor Supports Available

Powered Roller Curve Conveyor  
(Zero Pressure Accumulating Type)



e24i™

U.S. Patent Numbers  
7,243,781 7,591,366 • 7,905,345  
6,860,381 • Other Patents Pending.



Between Rail Width	Overall Frame Width	"R"	Number of Rollers	90° & 60° WEIGHTS (Lbs.)	45° & 30° WEIGHTS (Lbs.)
9"	12"	24"	16	128	70
11"	14"			158	87
13"	16"			189	104
15"	18"			220	121
17"	20"	32 1/2"	20	251	138
19"	22"			282	155
21"	24"			313	172
23"	26"			343	189
25"	28"			374	206
27"	30"			405	223
31"	34"	48"	30	467	257
33"	36"			498	274
37"	40"			559	308
39"	42"			590	325

9" BR has an outside mounted motor and uses Hytrol's 3.0 card.

All weights in catalog are conveyor weights only.

Accessories, crating, etc., are not included.

# 190-E24EZ

## STANDARD SPECIFICATIONS

**BED (E24EZ)**—Roller bed with 1.9 in. dia. roller x 16 ga. galvanized tube bearings spaced every 3 in. Mounted in 6 1/2 in x 12 ga. powder painted formed steel channel frame bolted together with splice plates.

**BED (E24EZC)**—Roller bed with 2 1/2 in. dia tapered to 1 13/16 in. dia. x 14 ga. galvanized. Mounted in 6 1/2 x 12 ga. powder painted formed steel channel frame.

**MOTOR**—24 VDC motor with integrated motor control card. One in each zone of conveyor mounted on inside of BR.

**SLAVE O-RINGS**—3/16 in. dia. polyurethane o-rings slave-drive zone tread rollers from motor.

**ACCUMULATION ZONES**—18 in., 24 in., 30 in., and 36 in. zones available.

**SET LOW CHANNEL**— Added additional flanges to make the installation and removal of the optional cover simple.

**EZLogic® ZONE CONTROLLER** – Located in each zone. (Retro-reflective). NEMA 1, 2, IP 62. UL Approved.

**POWER SUPPLY (FOR MOTORS)**—40 amp DC power supply, 24 volt fixed output. Maximum of 40 zones per power supply. 120 vac, 24 amp input. Mounted near center of conveyor.

**IOP**—Provides 27VDC, 100 watt power for EZLogic® accumulation system - contains slots for 4 input/output boards. Operates up to 50 zones with maximum of 25 on either side of IOP. Requires 120VAC or 230VAC single phase input.

**CONVEYING SPEED**—25-125 FPM, set on integrated motor control card.

**CAPACITY**—Maximum load 37 lbs. per foot, 75 lbs. per zone.

**FLOOR SUPPORTS**—Now supplied as optional equipment.

### EZLOGIC® ACCUMULATION SYSTEM

Hytrol's EZLogic®, or "Electronic Zero-pressure Logic" Accumulation System, combines the sensing accuracy of photo-electronics with discrete electronic logic control without the use of a PLC or pneumatic logic components. The EZLogic® Accumulation System provides many features including:

Zero-Pressure Accumulation of Product

Zone Stop function is built in. Any zone may be transformed into a workstation by connecting a dry contact switching device to the auxiliary port of the EZLogic® Zone Controller. This feature is always used at the discharge end of the conveyor line, and may be used at any other location where a zone stop is required.

### Selectable Modes of Operation

**Singulation Mode** – Product separates while traveling down the conveyor and when it is released from the conveyor - creating a zone-length gap between products.

**Enhanced Slug Mode w/ Jam Protection** – Product does not separate when traveling down the conveyor or when it is released from the conveyor. This allows higher product throughput at any given conveyor speed. Product will not separate on the conveyor even when accumulation has been activated at the discharge end.

**Cascaded Slug Release** – Rather than releasing all zones simultaneously, this function introduces a momentary delay in the release of each zone, from discharge upstream.

**Dynamic Zone Allocation** – Automatically adjusts the conveyor's zone length to accommodate the length of the product being conveyed. Improves conveyor efficiency and system flexibility.

## OPTIONAL EQUIPMENT

**FLOOR SUPPORTS**—MS Type floor supports are available with a wide range of adjustment. Specify top of belt or roller elevation. One support required at every bed joint and ends of conveyor. Holes in feet for lagging to floor. Knee braces recommended above MS-6 support.

**POWER SUPPLY (FOR MOTORS)**—120-240 Volt, Single Phase - 20 and 40 amp available. 120 volt at 4.56 amps.

**POWER SUPPLY (FOR MOTORS)** 460 volt, 3 phase – 20 and 40 amp available.

**MOTOR AND SEPARATE CONTROL CARD**—Available with 3 Amp settings.

**POLY-TIER SUPPORTS**—36 in. to 120 in. support heights in 6 in. increments. Knee braces required.

**CEILING HANGERS**—5/8 in. dia. x 8 ft. long unplated steel rods fully threaded. Other lengths and galvanized rods available.

**HIGH-SPEED DRIVE SPOOL**—Provides a speed range of 50-200 FPM.

**EZLogic®** – See EZLogic® Components Page.

