



Best/Flex[®] Gravity Expandable Conveyor

Operation, Maintenance and Parts Manual

Models:

B/F 200 and B/F 300 Series

Factory Order Number: _____

Serial Number: _____

Ship Date: _____

BEST Conveyors

4929 Krueger Drive

Jonesboro, AR 72401

800-327-9209 • 870-935-0970

Fax: 870-935-3661

E-mail: salesinfo@bestconveyors.com

www.bestconveyors.com

Please visit our Web site and click on downloads for the latest updates to this manual.

Please read entire manual before operating unit.

Thank You

Thank you for purchasing our BEST/FLEX conveyor. We realize you had a choice and are pleased that you selected a conveyor from BEST Conveyors.

We are providing you with a toll-free number, **800-327-9209**, to put you directly in touch with our Customer Service Department. Call us for any reason. We realize it's not our opinion of our products and service that counts—it's **your** opinion we live by!

We are in business to serve our customers. From the factory or the field, we are eager to help. Our service technicians have the experience and expertise to ensure a smooth transition between your fixed conveyors and your BEST system. You will receive the same high level service from BEST before and after the sale.

Again, we appreciate your purchase and hope you will continue to select the BEST solution for your material handling needs.

Sincerely,

The Associates of BEST Conveyors
Jonesboro, Arkansas

Table of Contents

Thank You	2
Warranty Statement and Maintenance Schedule	4
Specifications	5
Installation and Operating Instructions	6
Troubleshooting, Service and Safety Information	7
Product Drawing: Best/Flex 200	8
Parts List: Best/Flex 200	9
Product Drawing: Best/Flex 300	10
Parts List: Best/Flex 300	11
Recommended Spare Parts List: Best/Flex 200	12
Recommended Spare Parts List: Best/Flex 300	13
Product Options: Package Stop Kit and 6" Swivel Caster	14
Product Options: Axle Connect and Leg Connect Hooks	15
Product Options: Impact Support and Perpendicular Legs	16
Product Options: Dockless Unloading System and Side Rails	17
Product Options: Extend-A-Stick and Shock Absorbing Inner Leg Kit	18
Product Options: PowerTrax®	19
Addendum A: Order Specific Manuals, Inserts and Drawings (as required)	

Warranty Statement

Your Best conveyor is protected by our premier warranty. Best Conveyors will replace, free of charge, parts that are damaged during the course of normal operation due to material or workmanship defects. This warranty extends for a period of two (2) years on all mechanical components and one (1) year on all electrical components (measured from the date you took possession of your conveyor.)

This warranty does not cover damage due to accident, misuse, abuse and negligence. This warranty does not cover damage due to improper operation or maintenance, connection to improper voltage supply, or attempted repair/modification by anyone other than authorized Best Conveyors service personnel.

For specific warranty information or assistance, please contact your Best Conveyors sales representative at 800-327-9209.

Maintenance Schedule

Your Best/Flex conveyor is designed to be virtually maintenance free. We do recommend that you regularly inspect the unit to ensure proper operation of mechanical and safety systems.

DAILY:

- Keep your BEST conveyor free of dirt, debris and grease accumulation.
- Inspect leg elevations and adjust, as necessary, to ensure smooth product flow.
- Look for mechanical damage or worn components and replace as necessary.

MONTHLY:

- Check to ensure that all bolts and nuts are moderately tight.

Caution: do not over torque as this may cause frame distortion and prevent the system from properly flexing.

Required tools to maintain your conveyor include:

Two each of these size wrenches: 7/16", 1/2" and 9/16".

Specifications

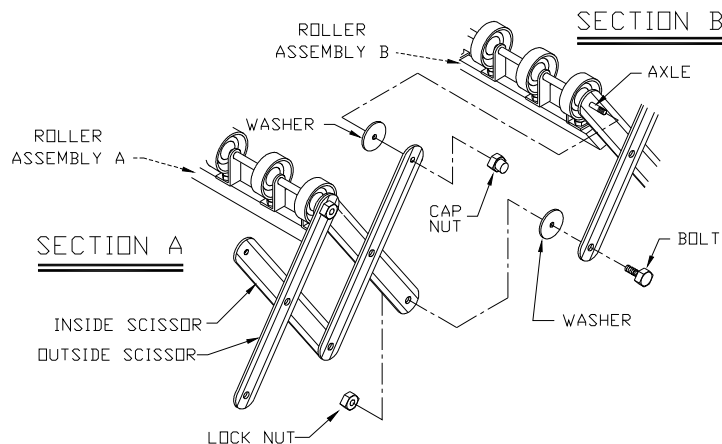
Your Best/Flex gravity conveyor is built according to the following standard specifications:

	<u>B/F 200 Series</u>	<u>B/F 300 Series</u>
Conveyor bed width		
Inches	18, 24, 30	18, 24, 30
Millimeters	457, 610, 762	457, 610, 762
Load capacity per linear foot (305 mm)		
Pounds	200	300
Kilograms	90.9	136.4
Skate wheels per axle		
(1 15/16" steel or black polyolefin)		
18" (457 mm)	7	7
24" (610 mm)	9	9
30" (762 mm)	10	10
Casters		
(brake and non-brake swivel with rubber wheel)		
Inches	5 x 1-1/4	5 x 1-1/4
Millimeters	127 x 32	127 x 32
Adjustable conveyor height		
Inches	28-1/2 to 41-1/2	28-1/2 to 41-1/2
Millimeters	724 to 1,054	724 to 1,054
Expansion to compaction ratios		
5" (127 mm) axle center	4.0:1	3.3:1
4" (102 mm) axle center	3.2:1	2.7:1
3" (76 mm) axle center	2.4:1	2.0:1

For custom applications, please see the Product Options pages or contact us: **800-327-9209**.

Installation and Operating Instructions

- 1) Unpack and inspect your BEST expandable conveyor.
- 2) Unlock the casters and roll the conveyor into the working area. Lock the casters.
- 3) If your BEST conveyor arrived in two or more sections that need reconnecting into one system, see connecting instructions below:
 - a) Tools required for assembly include two wrenches in each of these sizes: 7/16", 1/2", 9/16".
 - b) Remove cap nut from axle of roller angle assembly "B" (both sides).
 - c) Remove bolt, nylontrax washer, and jam nut from lower side bar section "A".
 - d) Roll section "A" and section "B" together making sure outside side bars are on the outside and inside side bars are on the inside (both sides).
 - e) Slide axle of roller angle assembly "B" back and forth to connect section "A" top side bar to section "B" side bar (both sides). Replace cap nut on axle of roller angle assembly "B" and hand tighten only.
 - f) Connect section "A" bottom side bar to section "B" bottom side bar using hardware removed in step 2 (both sides). Note: Plastic nylontrax washer must be between side bars as illustrated in exploded drawing.
 - g) Tighten cap nut on top side bar and jam nut on bottom side bar (both sides).



- 4) The legs are adjustable from 28-1/2" to 41-1/2" (724 mm to 1,054 mm). The leg elevation is factory set at 28-1/2" (724 mm). For proper gravity flow, a 5/16" (8 mm) decline per expanded foot (305 mm) is recommended. This may vary with carton weight or your specific applications.
- 5) To expand the conveyor:
 - a) Unlock the casters.
 - b) Grasp the handles on each side at both ends of the conveyor and pull until the conveyor is properly expanded.
 - c) Lock casters and begin use.
- 6) To set leg elevation for your application:
 - a) With the conveyor expanded, unscrew the adjustment knobs on the first leg set on the infeed end and lift up on the conveyor to height needed. Tighten adjustment knobs.
 - b) Do the same on the last leg set on the discharge end.
 - c) Adjust all legs in between to obtain proper gravity flow.
 - d) Close conveyor and check for slopes and valleys between the legs and readjust if needed.

Troubleshooting Guide

<u>Symptom</u>	<u>Possible Cause</u>	<u>Recommended Action</u>
Conveyor does not open or roll smoothly.	Casters are locked or clogged with debris.	Check casters and unlock or clear as necessary.
	Bolts and nuts have been over tightened.	Check bolt tension.
	Conveyor has suffered physical damage.	Check unit and replace damaged parts.
Product stops on conveyor or does not flow smoothly.	Leg elevations are out of height adjustment.	Readjust legs per the Installation section in this Manual (page 6)
	Skate wheels are jammed.	Check and clear debris as necessary.
	Conveyor has suffered physical damage.	Check unit and replace damaged parts.

Service Instructions

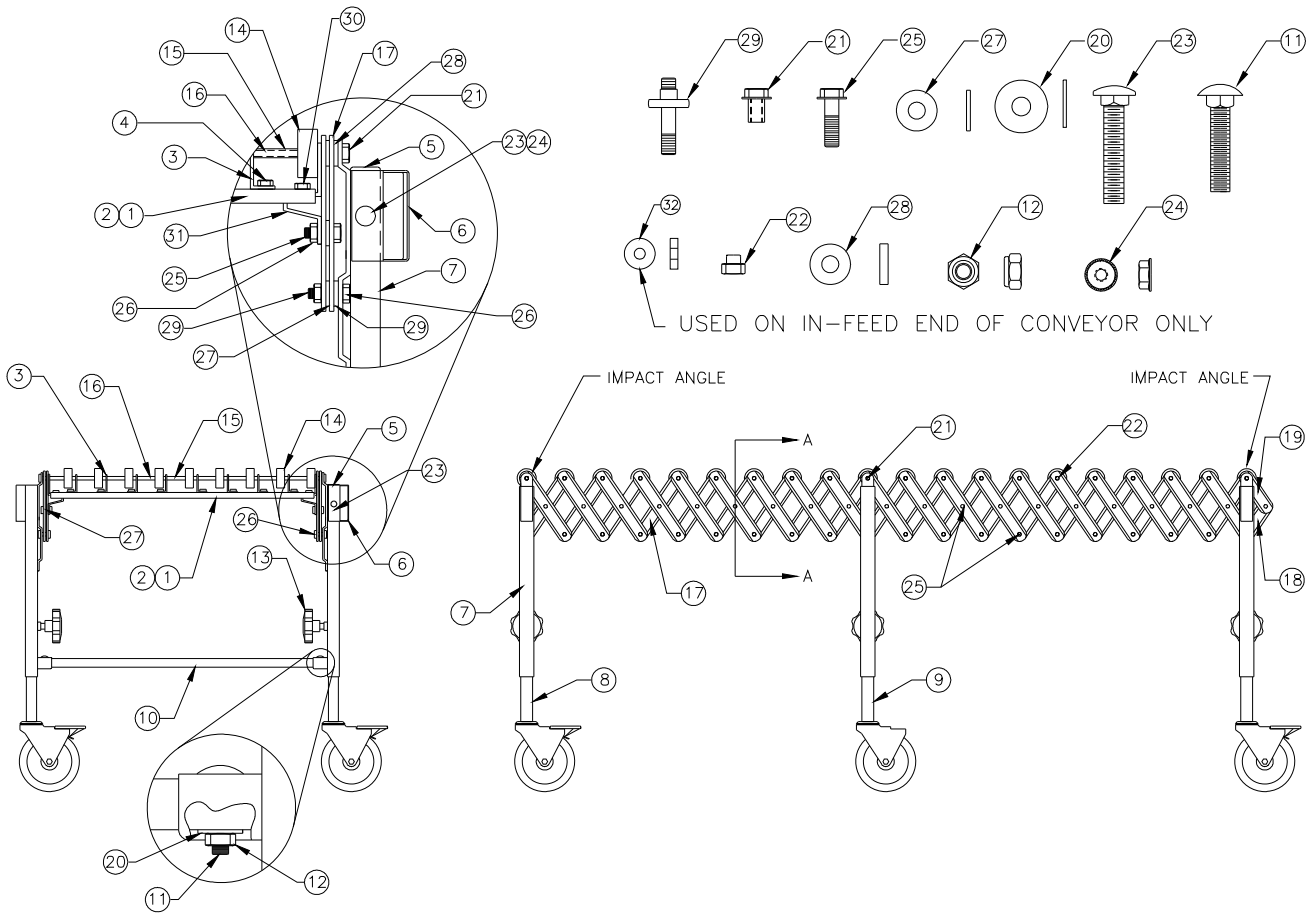
If your BEST conveyor needs service or replacement parts, please contact your distributor or our factory at: **800-327-9209**.

Safety Information

- Move conveyor only by grasping the handles located on each side at both ends of the conveyor.
- When expanding or compacting your conveyor; keep hands, clothing and other items clear of the side bars.
- Do not exceed the conveyor load capacity, as it may result in possible operator injury or conveyor damage.
- Avoid wearing excessively loose clothing when working with moving equipment.
- Keep long hair pulled up to prevent it from becoming caught in moving parts.
- Broken or worn parts must be immediately replaced.
- BEST conveyors must only be serviced by properly trained and qualified technicians.

Product Drawing: Best/Flex 200

BEST/FLEX 200 SERIES



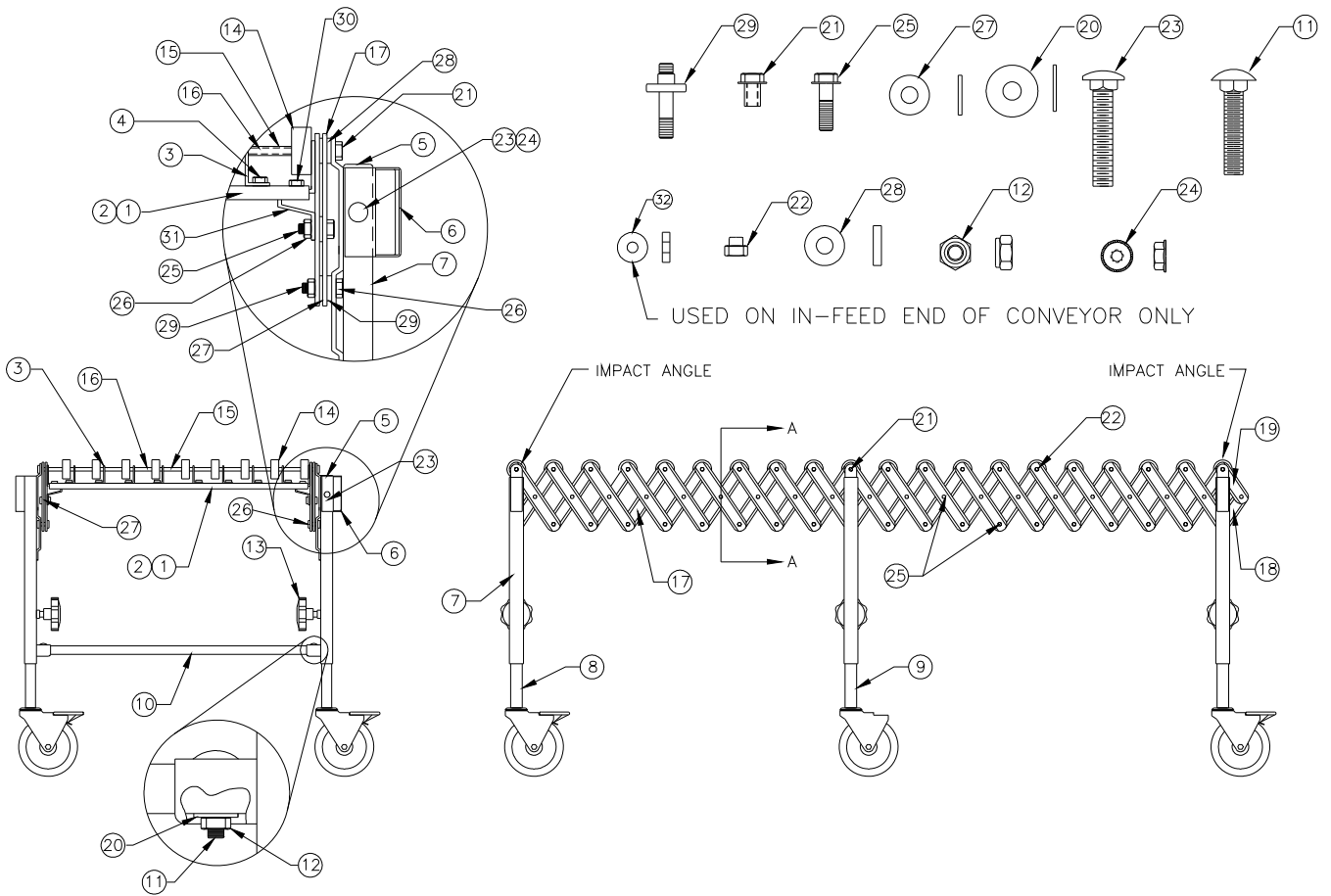
Parts List: Best/Flex 200

Specifications subject to change without notice

Item	Part No.	Description	Item	Part No.	Description
1	60556-18	18" Impact Angle	15	95712	Axle, 1/4" x 18"
	60556-24	24" Impact Angle		95710	Axle, 1/4" x 24"
	60556-30	30" Impact Angle		95714	Axle, 1/4" x 30"
2	60256-18	18" Angle	16	12492	Black PP Spacer 3/8" x 1.7625" (18" wide)
	60256-24	24" Angle		12480	Black PP Spacer 3/8" x 1-7/8" (24" & 30" wide)
	60256-30	30" Angle		12496	Black PP Spacer 3/8" x 1-7/16" (24" wide)
3	60258	Axle Support		12483	Black PP Spacer 3/8" x 2-3/16" (30" wide)
4	10531	Self Tapping Screw 1/4"-20 x 3/4"	17	60286	Side Bar, 1-1/4" x 8-5/8"
5	14070	Leg Cap 1 1/4" sq x 14 ga	18	60288	Lower Side Bar, 1-1/4" x 4 15/16"
6	04002	Handle Weldment	19	60287	Upper Side Bar, 1-1/4" x 4 15/16"
7	04950-21	Upper Leg Weldment 21"-5"	20	12085	Flat Washer, 5/16"
	04940-21	Upper Leg Weldment 21"-4"	21	11131	Shoulder Nut, 1/4"-20
	04930-21	Upper Leg Weldment 21"-3"	22	11120	Nylon Capnut, 1/4"-20
8	06713-TLC5	Inner Leg Assembly w/ Brake Caster	23	10586	Carriage Bolt, 3/8"-16 x 2"
9	06714-CNBS	Inner Leg Assembly Non-Brake Caster	24	11490	Serrated Flange Nut, 3/8"-16
10	60600-18	Cross Tube 1" sq. 18" long, 14ga	25	10552	Bolt, 5/16"-18 x 0.875"
	60600-24	Cross Tube 1" sq. 24" long, 14ga	26	11122	Nylon Jam Nut, 5/16"-18
	60600-30	Cross Tube 1" sq. 30" long, 14ga	27	12512	Nylatron Washer, 3/4"OD x 11/32"ID x 1/16"
11	10577	Carriage Bolt 5/16"-18 x 1-3/4"	28	12185	Nylon Spacer, 3/4"OD x 13/32"ID x 0.200"
12	11701	Heavy Jam Nut 5/16"-18 nylon	29	10590	Special Bolt, 5/16" x 3/8"
13	12291	Adjustment Knob	30	10531-1	Self Tapping LH Screw, 1/4"-20 x 3/4"
14	50080	Steel Skatewheel 1-15/16" OD	31	60675-200	End Clip
	50081	Black PP Skatewheel 1-15/16" OD	32	12501	Spacer 3/4"OD x 17/64ID x 3/16"

Product Drawing: Best/Flex 300

BEST/FLEX 300 SERIES



Parts List: Best/Flex 300

Specifications subject to change without notice

Item	Part No.	Description	Item	Part No.	Description
1	60556-18	18" Impact Angle	15	95712	Axle, 1/4" x 18"
	60556-24	24" Impact Angle		95710	Axle, 1/4" x 24"
	60556-30	30" Impact Angle		95714	Axle, 1/4" x 30"
2	60256-18	18" Angle	16	12492	Black PP Spacer 3/8" x 1.7625" (18" wide)
	60256-24	24" Angle		12480	Black PP Spacer 3/8" x 1-7/8" (24" & 30" wide)
	60256-30	30" Angle		12496	Black PP Spacer 3/8" x 1-7/16" (24" wide)
3	60258	Axle Support		12483	Black PP Spacer 3/8" x 2-3/16" (30" wide)
4	10531	Self Tapping Screw 1/4"-20 x 3/4"	17	60152-3	Side Bar 1-1/2" x 8-5/8"
5	14070	Leg Cap 1 1/4" sq x 14 ga	18	60154-3	Lower Side Bar 1-1/2" x 4-15/16"
6	04002	Handle Weldment	19	60155-3	Upper Side Bar 1-1/2" x 4-15/16"
7	04950-21	Upper Leg Weldment 21"-5"	20	12085	Flat Washer, 5/16"
	04940-21	Upper Leg Weldment 21"-4"	21	11131	Shoulder Nut, 1/4"-20
	04930-21	Upper Leg Weldment 21"-3"	22	11120	Nylon Capnut, 1/4"-20
8	06713-TLC5	Inner Leg Assembly w/ Brake Caster	23	10586	Carriage Bolt, 3/8"-16 x 2"
9	06714-CNB5	Inner Leg Assembly Non-Brake Caster	24	11490	Serrated Flange Nut, 3/8"-16
10	60600-18	Cross Tube 1" sq. 18" long, 14ga	25	10552	Bolt, 5/16"-18 x 0.875"
	60600-24	Cross Tube 1" sq. 24" long, 14ga	26	11122	Nylon Jam Nut, 5/16"-18
	60600-30	Cross Tube 1" sq. 30" long, 14ga	27	12512	Nylatron Washer, 3/4"OD x 11/32"ID x 1/16"
11	10577	Carriage Bolt 5/16"-18 x 1-3/4"	28	12185	Nylon Spacer, 3/4"OD x 13/32"ID x 0.200"
12	11701	Heavy Jam Nut 5/16"-18 nylon	29	10590	Special Bolt, 5/16" x 3/8"
13	12291	Adjustment Knob	30	10531-1	Self Tapping LH Screw, 1/4"-20 x 3/4"
14	50080	Steel Skatewheel 1-15/16" OD	31	60675-200	End Clip
	50081	Black PP Skatewheel 1-15/16" OD	32	12501	Spacer, 3/4"OD x 17/64"ID x 3/16"

Recommended Spare Parts List: Best/Flex 200

Please refer to your conveyor width and order parts accordingly.

Part No.	Description	Quantity
04950-21	Upper Leg Weldment 21" - 5" Center	1
04940-21	Upper Leg Weldment 21" - 4" Center	1
04930-21	Upper Leg Weldment 21" - 3" Center	1
60600-18	Cross Tube 1" SQ. x 18"	1
60600-24	Cross Tube 1" SQ. x 24"	1
60600-30	Cross Tube 1" SQ. x 30"	1
06713-TLC5	Inner Leg Assembly w/ Brake Caster	1
06714-CNB5	Inner Leg Assembly Non-Brake Caster	1
08002	B/F 200 Kit	1
60286	Side Bar, 1" x 8-5/8"	[10]
60288	Side Bar Lower, 1" x 4-15/16"	[2]
60287	Side Bar Upper, 1" x 4-15/16"	[2]
11131	Shoulder Nut, 1/4"-20	[10]
11120	Cap Nut, 1/4"-20	[30]
10552	Bolt, 5/16"-18 x 0.875" HHC	[20]
11122	Jam Nut, 5/16"-18 Nylon	[30]
12512	Nylatron Washer 3/4"ODx11/32"IDx1/16"	[20]
12185	Space 3/4OD x 13/32"ID x 0.200"	[10]
10590	Special Bolt 5/16"x3/8"	[6]
10577	Carriage Bolt 5/16"-18 x 1"	[4]
11701	Heavy Jam Nut 5/16"-18 Nylon	[4]
12085	Flat Washer 5/16"	[8]
12291	Adjustment Knob	[2]
10042	HHC Screw 3/8"-16 x 1"	[2]
10750	Bolt SHS Diameter x 3/8"-16	[2]
10050	HHC Screw 3/8"-16 x 1"	[2]
08003	18" Roller Frame Kit with Steel Skatwheels	1
08004	18" Roller Frame Kit with Black PP Skatwheels	1
08005	24" Roller Frame Kit with Steel Skatwheels	1
08006	24" Roller Frame Kit with Black PP Skatwheels	1
08007	30" Roller Frame Kit with Steel Skatwheels	1
08008	30" Roller Frame Kit with Black PP Skatwheels	1

Recommended Spare Parts List: Best/Flex 300

Please refer to your conveyor width and order parts accordingly.

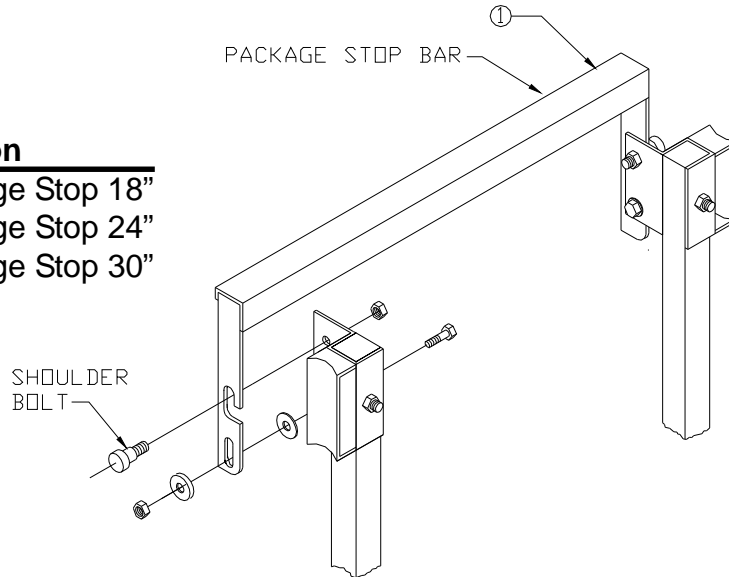
Part No.	Description	Quantity
04950-21	Upper Leg Weldment 21" - 5" Center	1
04940-21	Upper Leg Weldment 21" - 4" Center	1
04930-21	Upper Leg Weldment 21" - 3" Center	1
60600-18	Cross Tube 1" SQ. x 18"	1
60600-24	Cross Tube 1" SQ. x 24"	1
60600-30	Cross Tube 1" SQ. x 30"	1
06713-TLC5	Inner Leg Assembly w/ Brake Caster	1
06714-CNB5	Inner Leg Assembly Non-Brake Caster	1
08015	B/F 300 Kit	1
60152-3	Side Bar, 1-1/2" x 8-5/8"	[10]
60154-3	Side Bar Lower, 1-1/2" x 4-15/16"	[2]
60155-3	Side Bar Upper, 1-1/2" x 4-15/16"	[2]
11131	Shoulder Nut, 1/4"-20	[10]
11120	Cap Nut, 1/4"-20	[30]
10552	Bolt, 5/16"-18 x 0.875" HHC	[20]
11122	Jam Nut, 5/16"-18 Nylon	[30]
12512	Nylatron Washer 3/4"ODx11/32"IDx1/16"	[20]
12185	Space 3/4OD x 13/32"ID x 0.200"	[10]
10590	Special Bolt 5/16"x3/8"	[6]
10577	Carriage Bolt 5/16"-18 x 1"	[4]
11701	Heavy Jam Nut 5/16"-18 Nylon	[4]
12085	Flat Washer 5/16"	[8]
12291	Adjustment Knob	[2]
10042	HHC Screw 3/8"-16 x 1"	[2]
10750	Bolt SHS Diameter x 3/8"-16	[2]
10050	HHC Screw 3/8"-16 x 1"	[2]
08009	18" Roller Frame Kit with Steel Skatwheels	1
08010	18" Roller Frame Kit with Black PP Skatwheels	1
08011	24" Roller Frame Kit with Steel Skatwheels	1
08012	24" Roller Frame Kit with Black PP Skatwheels	1
08013	30" Roller Frame Kit with Steel Skatwheels	1
08014	30" Roller Frame Kit with Black PP Skatwheels	1

Product Options: Package Stop Kit and 6" Swivel Caster

Package Stop Kit

The Package Stop is a unique design that stops cartons at the end of the conveyor and folds down easily when not in use.

Item No.	Part No.	Description
1	06360-18	Kit, Package Stop 18"
	06360-24	Kit, Package Stop 24"
	06360-30	Kit, Package Stop 30"

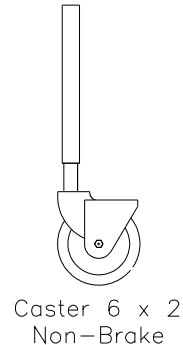
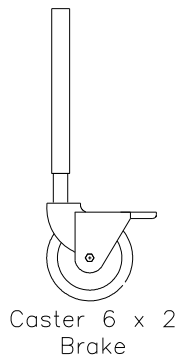


Operating Instructions

To operate the Package Stop, simply pull upward on the Package Stop Bar until it clears the Shoulder Bolt located on each side of the conveyor. Then rotate the Package Stop downward until it is parallel to the legs of the conveyor. To engage the Package Stop simply rotate the Package Stop Bar upward and lock over the Shoulder Bolt on each side of the conveyor. Be sure that the Package Stop is secured to prevent damage to product being conveyed.

6" Swivel Caster

The 6" Swivel Casters provide easier rolling over uneven surfaces. 6" x 2" (152 mm x 51 mm) casters add 1-1/2" (38 mm) to conveyor height.



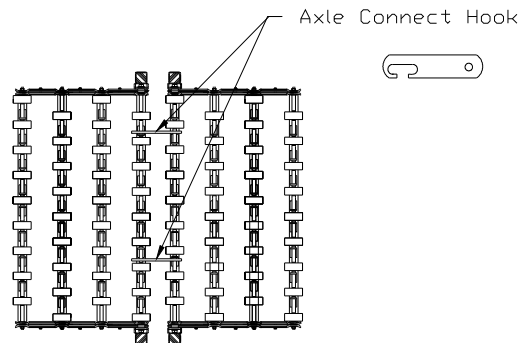
Note: For more information about 6" Swivel Casters, please consult the factory.

Product Options: Axle Connect and Leg Connect Hooks

Axle Connect Hooks

Axle Connect Hooks link two or more conveyors together to serve as one continuous conveying surface.

Item No.	Part No.	Description
1	60277	Axle Connect Hooks (Qty.: 2 required)



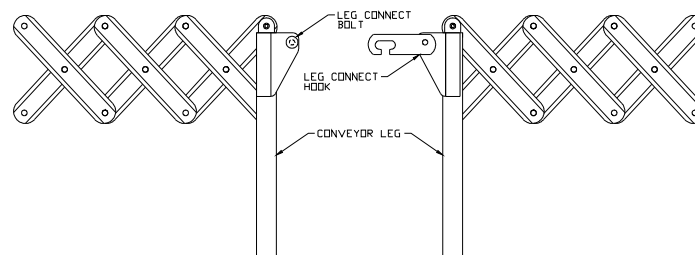
Operating Instructions

Axle Connect Hooks link two or more conveyors. Simply push the conveyors together and engage the Axle Connect Hooks located on the last or end axle of the conveyor onto the first or end axle of the mating conveyor.

Leg Connect Hooks

Leg Connect Hooks link two or more conveyors together to serve as one continuous conveying surface.

Item No.	Part No.	Description
1	06301-4	Kit, Leg Connect Hooks, 5" Axle Centers
	06301-3	Kit, Leg Connect Hooks, 4" Axle Centers
	06301-2	Kit, Leg Connect Hooks, 3" Axle Centers



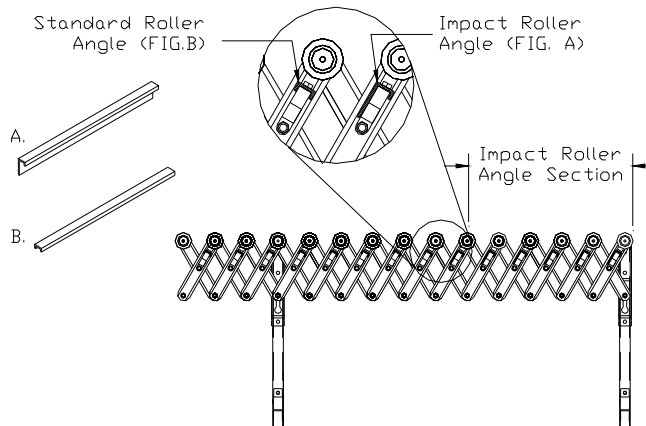
Operating Instructions

Leg Connect Hooks link two or more conveyors. Push the conveyors together and engage the Leg Connect Hooks located on each side of the conveyor legs onto the Leg Connect Bolts located on each side of the mating conveyor.

Product Options: Impact Support and Perpendicular Legs

Impact Support Section

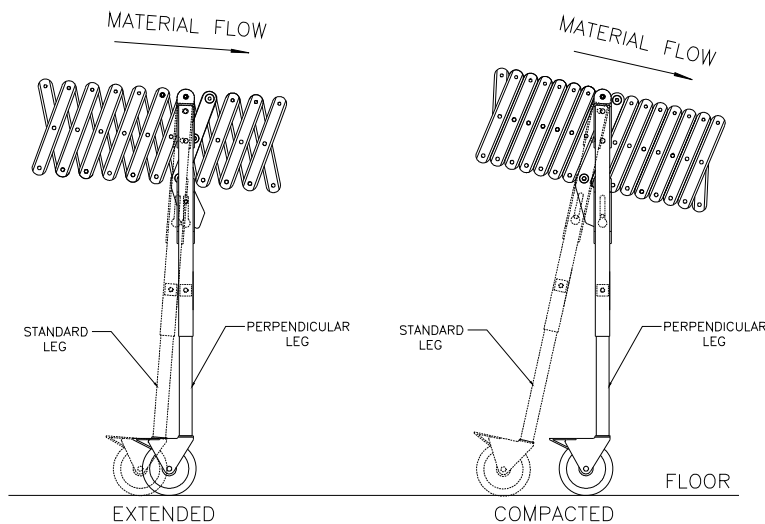
The Impact Support Section is a built-in support on the infeed end of the conveyor where packages are loaded onto the conveyor.



Note: The Impact Support Section can be built in any length required for custom applications.

Perpendicular Legs

Perpendicular Legs remain perpendicular to the floor at all times and are a benefit for conveyors that are set on an incline. The legs help to distribute weight evenly which reduces the stress on the legs in inclined applications.

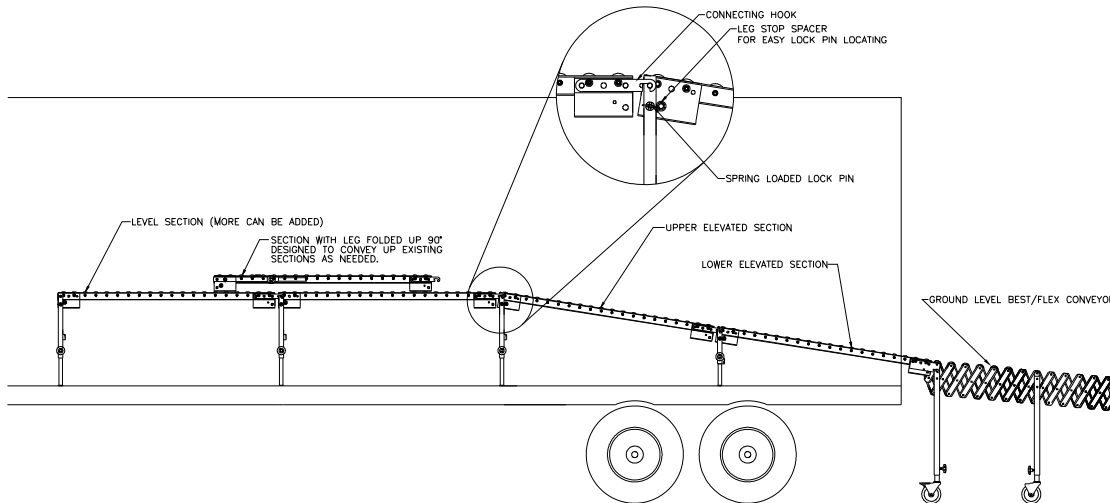


Note: For applications requiring Perpendicular Legs, please consult the factory.

Product Options: Dockless Unloading System and Side Rails

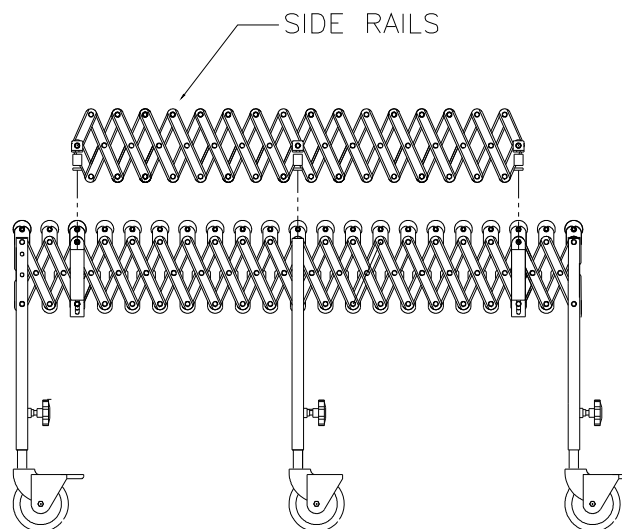
Dockless Unloading System

The Dockless Unloading System allows you to unload product from the truck directly to your back room storage area. By connecting the Dockless Unloading System to your existing expandable conveyor, you have a complete system that works efficiently and ergonomically.



Side Rails

Side Rails prevent cartons from skewing off in accumulation applications.



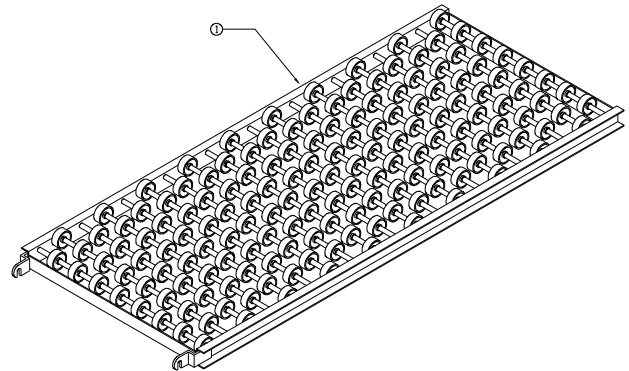
Note: For more information about the Dockless Unloading System and Side Rails, please consult the factory.

Product Options: Extend-A-Stick and Shock Absorbing Inner Leg Kit

Extend-A-Stick

The Extend-A-Stick bridges the gaps between conveyors and can be used for truck loading and unloading.

Part No.	Description
EXTSTK18ST	Extend-A-Stick 18" x 5', Steel Wheel
EXTSTK18BP	Extend-A-Stick 18" x 5', Black Poly Wheel
EXTSTK24ST	Extend-A-Stick 24" x 5', Steel Wheel
EXTSTK24BP	Extend-A-Stick 24" x 5', Black Poly Wheel
EXTSTK30ST	Extend-A-Stick 30" x 5', Steel Wheel
EXTSTK30BP	Extend-A-Stick 30" x 5', Black Poly Wheel



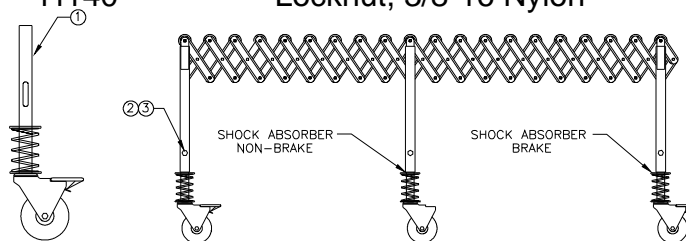
Operating Instructions

To operate, attach the Extend-A-Stick (using the connecting hooks provided) to the last skatewheel axle located on the expandable gravity conveyor. Then position the opposite end of the Extend-A-Stick into the mating or supporting surface.

Shock Absorbing Inner Legs Kit

Shock Absorbing Inner Legs are a unique design that provides spring loaded legs to absorb shock when cartons are placed on the conveyor. This option requires the legs to be pre-set at the factory in a non-adjustable decline or level application.

Item No.	Part No.	Description
1	06168-C5BK	Kit, Shock Absorber 5" x 1-1/2" Brake
	06168-C5NB	Kit, Shock Absorber 5" x 1-1/2" Non-Brake
	06169-C5NB	Kit, Shock Absorber 5" x 2" Non-Brake
	06170-C6BK	Kit, Shock Absorber 6" x 2" Brake
	06170-C6NB	Kit, Shock Absorber 6" x 2" Non-Brake
2	10052	Screw, 3/8-16 x 2" HHC
3	11140	Locknut, 3/8-16 Nylon



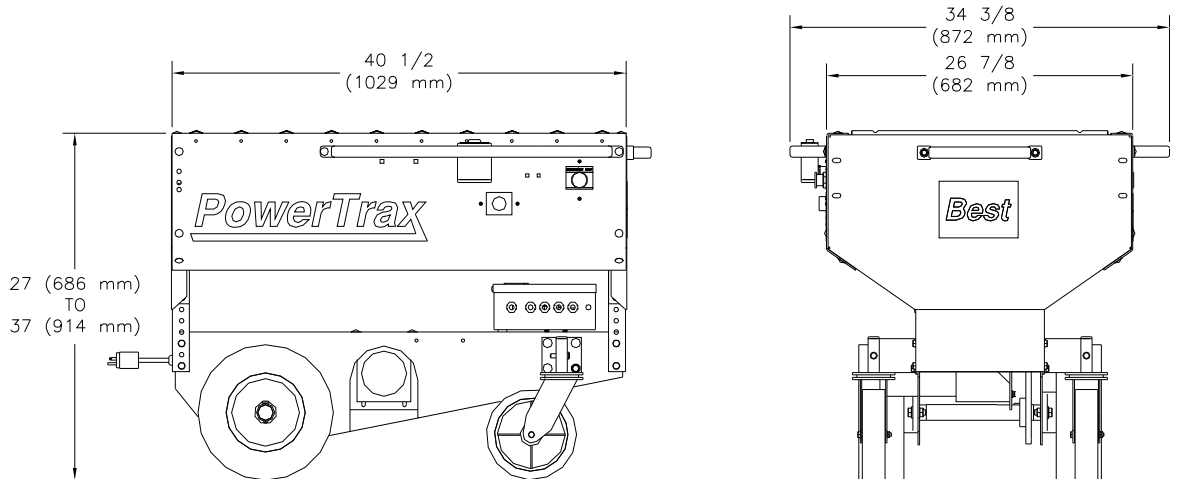
Note: For more information about the Extend-A-Stick and Shock Absorbing Inner Legs Kit, please consult the factory.

Product Options: PowerTrax

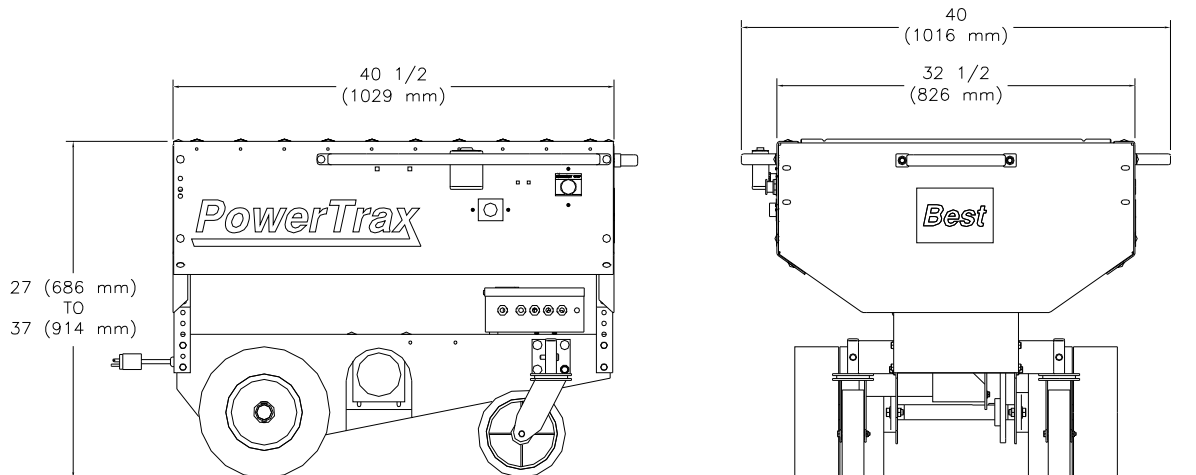
The PowerTrax powers BEST conveyors in and out of trailers for safer loading and unloading. Its impact gravity bed is adjustable from 27" (686 mm) to 36" (914 mm) in 1" (25 mm) increments. The PowerTrax adds 48" (1,219 mm) to the conveyor length.

Item No.	Part No.	Description
1	8-06005	PowerTrax, 24", Gravity Bed
2	8-06006	PowerTrax, 30", Gravity Bed

PowerTrax - 24" Model



PowerTrax - 30" Model



The PowerTrax is attached to your existing gravity conveyor with simple electrical modifications. Please consult your PowerTrax manual for operating instructions.



4929 Krueger Drive
Jonesboro, AR 72401
800-327-9209 • 870-935-0970
Fax: 870-935-3661
E-mail: salesinfo@bestconveyors.com
www.bestconveyors.com